

DIAVAC DV 1000 **DIAVAC E**

Diaphragm
Vacuum Gauges for
the Rough Vacuum Range



DIAVAC DV 1000

DIAVAC E

DIAVAC vacuum gauges are used for pressure measurements in the rough vacuum range from 1000 to 1 mbar.



DIAVAC DV 1000

The DIAVAC DV 1000 is a rugged **mechanical** diaphragm vacuum gauge with high measurement accuracy.

Typical Applications

- Chemical processes
- Process industry
- Vacuum distillation
- Absolute pressure measurements for gas mixtures
- Drying processes
- Lamp production

DIAVAC E

The **fully electronic** DIAVAC E is a vacuum gauge for a wide range of applications.

The DIAVAC E is equipped with an integrated vacuum sensor made of alumina ceramic resulting in outstanding corrosion resistance and superior long-term stability.

Simple operation and a combined digital / analog pressure reading for precise readout and trend detection make the DIAVAC E a versatile device

Being cordless and battery-powered is a further advantage.



Typical Applications

- Chemical process engineering
- Process industry
- Commissioning of vacuum systems
- Inspection and maintenance of vacuum pumps and systems

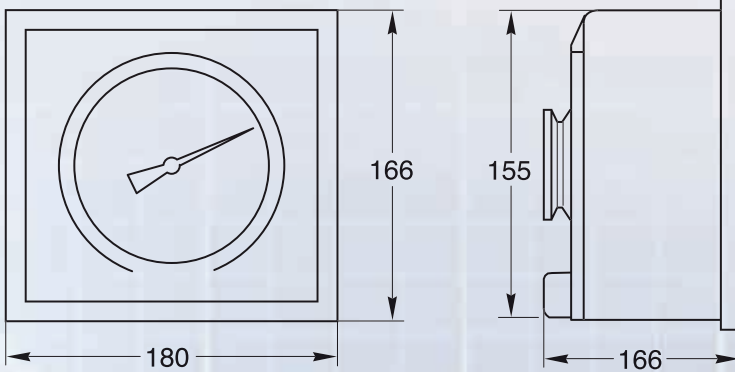
DIAVAC - precise rough vacuum measurement

Mechanical or fully electronic. From 1000 to 1 mbar

Mechanical measurement and display

DIAVAC 1000 Product features

- Wide measurement range from 1000 to 1 mbar with high resolution in the 100 to 1 mbar range
- Individual scale calibration
- Absolute pressure gauge
- Readout is independent of gas type and changes in atmospheric pressure
- Stainless steel diaphragm for excellent media compatibility
- High precision diaphragm
- Rugged table-top housing with flexible installation opportunities: flange connection or panel mounting possible
- Easy measurement chamber cleaning due to the detachable measurement flange

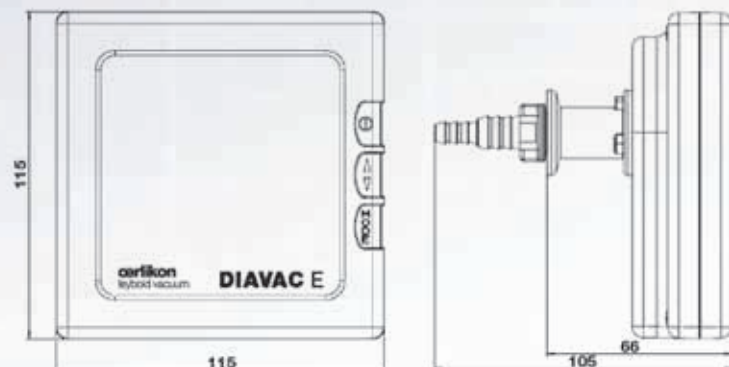


Dimensions of the DIAVAC DV 1000

Electronic measurement and display

DIAVAC E Product features

- Unique large analog and digital measurement display: Quick trend detection, precise readout at a glance
- Capacitive alumina ceramic diaphragm vacuum sensor with excellent chemical resistance, accuracy and long term stability
- Electronically switchable pressure units (mbar, hPa, Torr)
- High electromagnetic compatibility: low emission level near to detection limit, high tolerance to electromagnetic interference for use in industrial environments
- Comfortable digital reset possible via display and control buttons
- Low battery power consumption



Dimensions of the DIAVAC E

Technical Data

Ordering Information

DIAVAC DV 1000

Measurement range	mbar (Torr)	1 to 1000 (1 to 750)
Measurement inaccuracy		
01 - 10 mbar (1.0 - 7.5 Torr)		±1 mbar (0.75 Torr)
10 - 1000 mbar (7.5 - 750 Torr)		± 10% of measured value
Permissible temperature range		
operation	°C	0 to +60
storage	°C	-10 to +60
Permissible overload (abs.)	bar	3
Length of scale	mm	270
Dead volume	cm ³	130
Vacuum connection	DN	40 KF
Dimensions (W x H x D)	mm	180 x 166 x 100
Weight	kg (lbs)	2.7 (6)
Materials in contact with the medium		stainless steel 1.4301, 1.4310 (diaphragm), FPM (FKM)

Ordering information*

	Cat. No.
DIAVAC DV 1000, complete with sintered filter, mbar readout / Torr readout	160 67 / 896 06
DAkKS calibration (former DKD)	157 12
Factory calibration	157 22
Replacement sintered filter with centering ring, DN 40 KF	231 93 515
Replacement housing, complete	240 000

DIAVAC E

Measurement range	mbar (Torr)	1 to 1080 (1 to 810)
Measurement inaccuracy		< ±1 mbar/hPa/Torr / ±1 digit (after alignment, constant temperature)
Measurement principle		Ceramic diaphragm (alumina oxide), capacitive, gas type independent, absolute pressure
Temperature dependence		< ± 0.07 mbar/K (0.05 Torr/K)
Nominal temperature range / storage	°C	+10 to + 40 / - 10 to + 60
Maximum media temperature for		
continuous operation / short operation	°C	40 / 80
Battery life	h	typical 8000, standby 40.000
Automatic switch off		Selectable: 1-1000 min (factory default 15 min) or continuous operation
Measurement rate		Selectable: automatic or 1 x per 3s, 1 x per 1s, 3 x per 1s
Material outside casing		Chemically resistant sturdy plastic case
Protection class		IP 40
Power supply		9 V lithium battery, 1.2 Ah Ultra Life model U9VL (included)
Dimensions (W x H x D)	mm	115 x 115 x 66
Weight	kg (lbs)	0.375 (0.83)

Ordering information*

	Cat. No.
DIAVAC E, ready to use with pressure sensor and battery	245008V01
Vacuum tube, 1000 mm rubber tubing with a DN 10 KF flanged end	172 02
Vacuum tube, 1000 mm Teflon tubing with a DN 16 KF flanged end	172 03
DAkKS calibration (former DKD)	157 12
Factory calibration	157 22

* For detailed information please refer to our general catalog or contact us.

leybold

Headquarter Germany

Oerlikon
Leybold Vacuum GmbH
Bonner Strasse 498
D-50968 Köln

T +49 (0) 221-347- 0
F +49 (0) 221-347- 1234
info.vacuum@oerlikon.com

www.oerlikon.com/leyboldvacuum

